

BERT FRANK

MAINTENANCE

- Lacquered brass should be wiped with a soft duster.
- Opal glass should be gently cleaned with a suitable glass cleaner and a clean, lint free cloth.
- Do not clean with any other liquid, chemical or abrasive cleaners.
- All electrical work must be conducted by a qualified electrician.

TECHNICAL

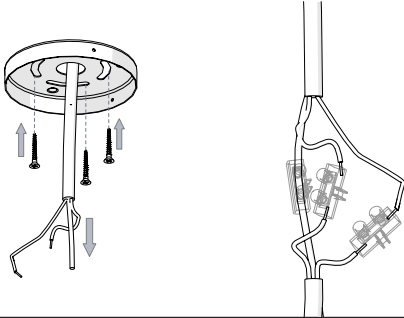
- 2 x 4W G9 LED supplied

TRAVE PENDANT LAMP

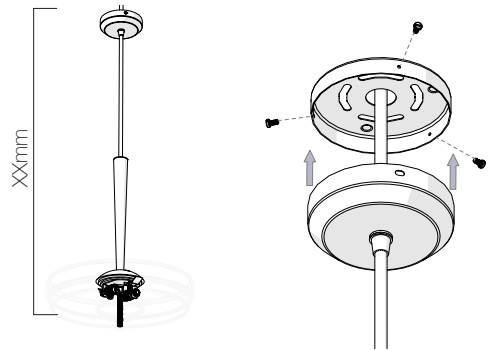
www.berfrank.co.uk
+44 (0)207 164 6482

INSTRUCTION

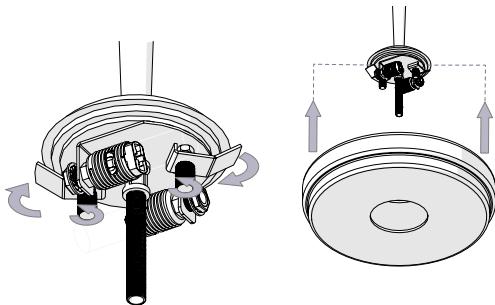
- 1
- Consider position of pendant, feed mains power through ceiling hole and ceiling rose mounting plate.
 - Fix mounting plate to ceiling using suitable fixings.
 - Make electrical connection between mains power and fixture.
 - Electrical work must be conducted by a qualified electrician.



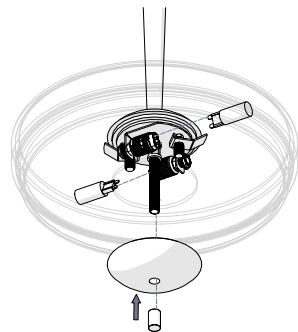
- 2
- Adjust fixture to desired height from ceiling rose cover.
 - Tighten cord grip.
 - Secure ceiling rose cover to mounting plate using 3x screws on side of cover.



- 3
- To fit glass shade, **loosen** 2x brass knurled screws and rotate locking plates.
 - Position glass shade against top marble detail, return locking plates against glass and tighten knurled screws

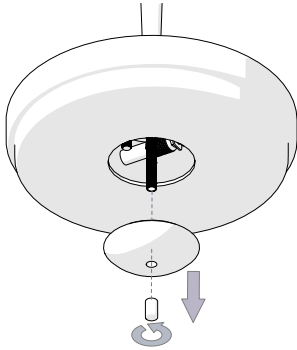


- 4
- Fit 2x LED G9 4W bulbs inside of glass shade by pushing bulbs into lamp holders.
 - Position bottom marble detail against glass shade and secure using brass cap.

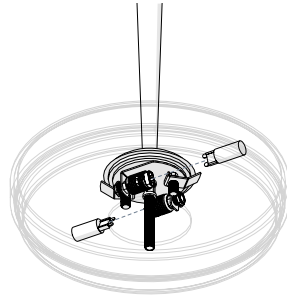


GLOBE REPLACEMENT INSTRUCTION

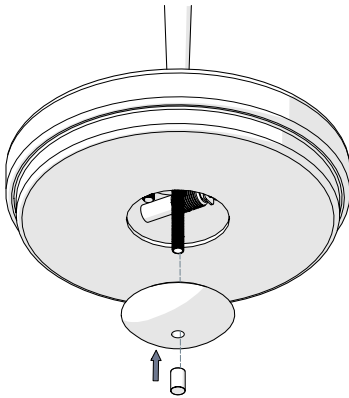
- 1 - Remove bottom brass cap and marble detail.



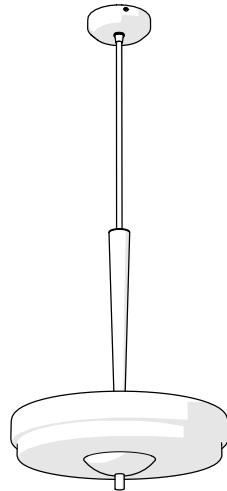
- 2 - Carefully remove old G9 bulbs from inside glass shade.
- Replace with LED G9 4W bulbs.
- Ensure dimming capable globes used if necessary.



- 3 - Position bottom marble detail against glass shade and secure using brass cap.



4



This product is only suitable for connection to the native power supply to which the unit was specifically manufactured. It is for indoor use only, and not suitable for a bathroom location.

If the Class II, double insulated symbol is on the lamp, it does not require an Earth, and Live or Neutral must not be connected to Earth. If there is no such symbol, then the lamp must be Earthed.

Under no circumstances must this lamp be covered with any material as this could pose a safety hazard. It must be used on a stable, flat surface.

Never fit bulbs of a higher wattage than those specified on the label, as these may cause overheating and damage the fitting. If the mains cable becomes damaged it must only be replaced by a technically competent, qualified person.

Allow 10 minutes to cool before replacing, adjusting or cleaning. Clean with specified cleaners only. Do not use other liquid, chemical or abrasive cleaners on this product.

If you are in any doubt about your competence please consult a qualified electrician. If any modification is made it will invalidate the warranty and may render the product unsafe.